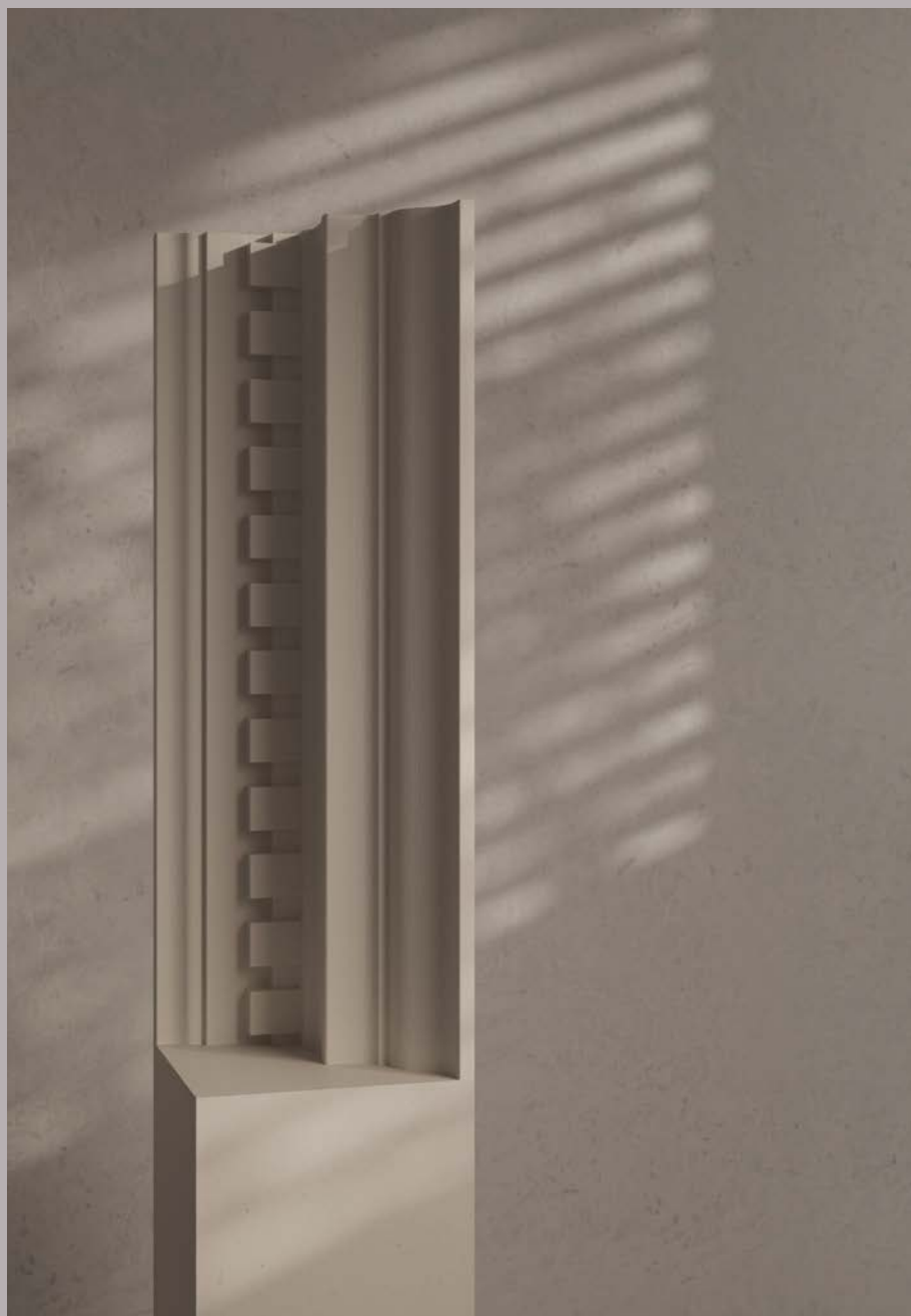




NOËL & MARQUET
DESIGN ELEMENTS

1

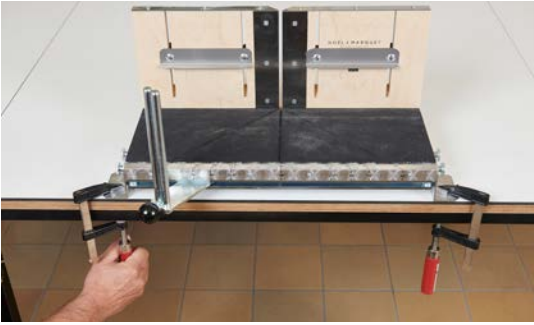


Cornices

Installation manual

05-2025

Cornices general



LAYING SURFACE

- Clean, dry, free of dust, degreased and flat.
- If there is existing wallpaper, check its adhesion.
- Apply a primer on highly absorbent substrates.
- Apply a primer on wood.
- Apply a primer on metal.
- Clean tiling.
- Sand down varnished surfaces.



PREPARATION

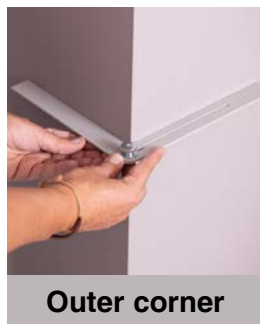
- The VARIO mitre box can be fixed to the worktop or the staging with the existing aluminium brackets using two clamps (not included).
- Adjust the sliders of the mitre box to the height of the moulding or the side (distance between the bottom edge of the moulding and the ceiling).



- Determine the height of the moulding on the wall and the angle. Mark the height of the moulding on the wall using a chalk line or a laser level.



Inner corner



Outer corner

- Measure the angle of the corner of the wall using the adjustable set-square.



- Place the adjustable set-square flat in the bottom of the mitre box, one side resting against the vertical part of the mitre box.
- Measure the distance between the two ends of the set-square.
- Divide this value by 2 and set the saw guide to the value obtained. Ensure that the saw passes through the middle of the adjustment screws, correcting the position as necessary.

The procedure applies to both corners inside and outside angles (mitre).



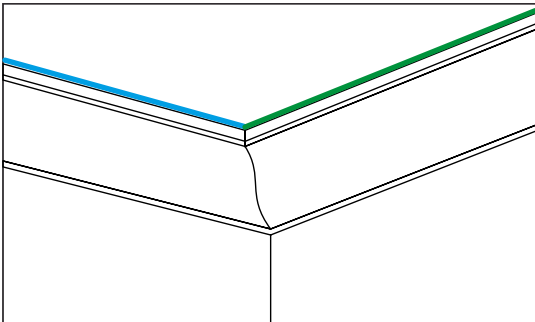
CUTTING

- Place the moulding on the wall and mark the cut line on the moulding.
Place the moulding in the mitre box: the bottom of this represents the ceiling, the vertical portion with the slider corresponds to the wall. The lower part of the moulding is pushed under the sliders. Exception: if, when changing direction, part of the moulding moves away from the ceiling (e.g. in a stairwell), refer to „Mouldings in a stairwell“.

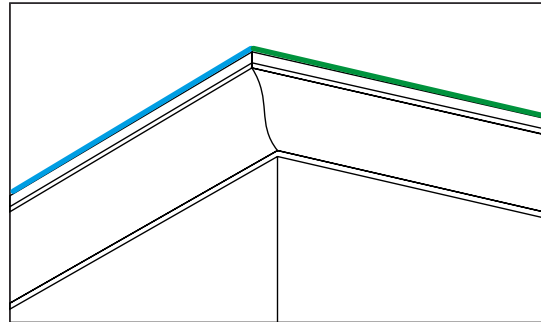


- Mitre cut the moulding using the appropriate saw:
NOMASTYL®: PS saw
ARSTYL®: HDPS/PU saw
WALLSTYL®: HDPS/PU saw

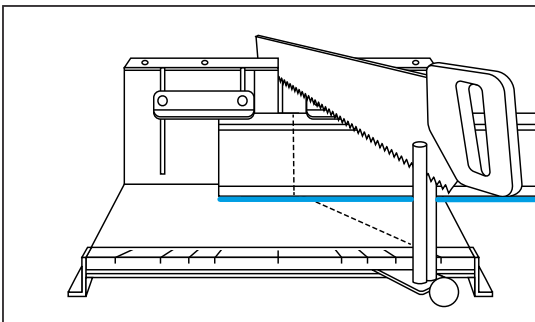
INNER CORNER



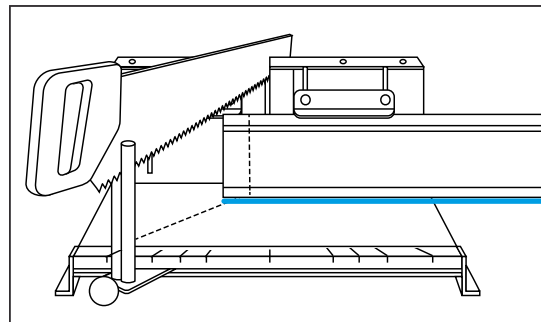
OUTER CORNER



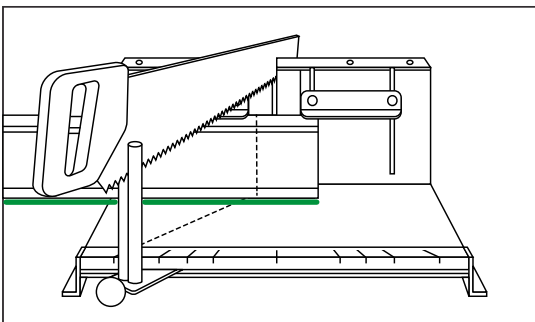
INNER CORNER LEFT



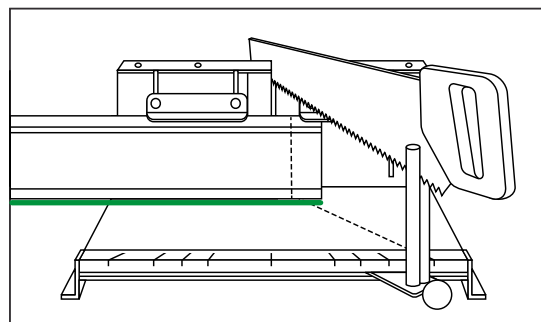
OUTER CORNER LEFT



INNER CORNER RIGHT



OUTER CORNER RIGHT





- Lightly sand the cut edges and the edges of the moulding with fine sandpaper (150 grit or less) or cutter and remove the sawdust with a damp sponge.



INSTALLATION



- Using a cartridge gun, generously apply the ADEFIX® adhesive in a continuous bead on both bonding surfaces (see GLUE CONSUMPTION).



- Immediately install the mouldings by pressing lightly (avoid finger pressure).
- Install the mouldings so that the mitres and joints are flat and without offset (step).



- WALLSTYL® and ARSTYL® mouldings with a height / span smaller than 8 cm and NOMASTYL® profiles: apply ADEFIX® adhesive to the cuts and corner mitres so that it forms a 3 mm joint.
- WALLSTYL® and ARSTYL® mouldings with a height / span more than 8 cm: apply ADEFIX® PLUS adhesive to the cuts and corner mitres so that it forms a 3 mm joint. The adhesive should not make a bead when the mouldings are pressed against one another. If necessary, the ADEFIX® PLUS adhesive can be removed cleanly with white spirit.





- Finish the adhesive joint with ADEFIX® adhesive.



- Remove excess glue, use a damp sponge if necessary.



- Smooth the joint with the NOËL & MARQUET painter's spatula.



- Leave to dry (min. 6h), then lightly sand the joints with emery paper (150 grit or finer). Make sure that the primer or film is not sanded down!



- Finish the ceiling and wall joints as well as the mitre joints with ADEFIX® adhesive.





- Leave to dry (min. 6h). Apply the paint finish within 4 weeks (see FINISH).

Cornices Z40 • Z41 • Z42 ARSTYL®



CUTTING

- The range consists of three types of moulding.
 - Z40 is a straight moulding (no ornamentation).
 - Z41 includes ornamentation at its centre.
 - Z42 is a moulding with two corner ornamentations.



- If cutting using the VARIO mitre box, the sliders must be unscrewed then re-attached with their underside facing up. This allows the height of the moulding to be adjusted.



- The Z42 moulding must be cut in the centre at right angles.



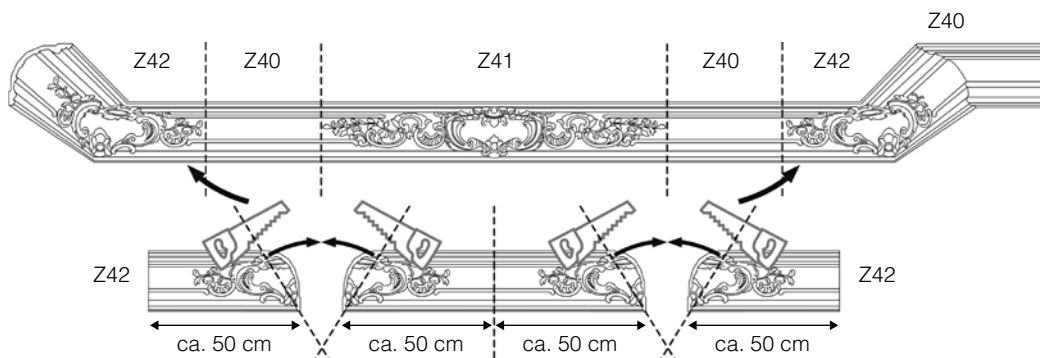
REGULAR CORNERS

- The ornamentation must then be cut according to the angle required and will each make a section 50 cm long (see the diagram).



In most cases,

- the Z41 moulding is placed in the middle of the wall (according to the length of the wall, the moulding can also be juxtaposed several times)
- the Z42 moulding, when cut to size, is placed in the inside corner; it is not possible to use this for an outside corner,
- the Z40 moulding



If you start with the Z40 moulding, make sure that the arrow on the back of the moulding points towards the ceiling during installation.





IRREGULAR CORNERS

- If you need to decorate a corner of a wall with an angle other than 90° with the Z42 moulding, ensure you cut it to size to give the smallest ornament. It is advisable to inform the customer in advance.



Use ADEFIX® PLUS adhesive during installation and make sure to take into account the 3 mm adhesive joint.

For the rest of the operations, follow the method applicable to the cornices.

Cornice Z7 ARSTYL®



FIX THE VARIO EXTENSION

- Remove the sliders from the vertical part of the mitre box.
- Attach the plates of the VARIO extension to the vertical part of the mitre box using the screws provided.



- Attach the sliders to the plates of the VARIO extension.





INSTALLATION

- The ornamentation on the Z7 is an acanthus leaf. The acanthus must be placed with the tip at the top and, as far as possible, must not be cut for the mitre.



- The ornamentation is 33.5 cm. Mark this dimension on the wall.



- Measure the remaining distance between the last pattern and the wall (20 cm in this example) and take half of the result (here 10 cm).



- Starting from the middle of the non-ornamented moulding area (ideal cut) and move the equivalent of the value defined earlier (here 10 cm) outwards to determine the cut point (allow for loss).

1 Ideal cut

2 Cutting point

Perform the procedure on each wall.



- If the ornamentation has started and that this makes this unsightly, it can be removed completely with the cutter. The corresponding places can be smoothed off with ADEFIX® adhesive.

- Then, follow the general positioning instructions for ARSTYL® mouldings.



Special cases



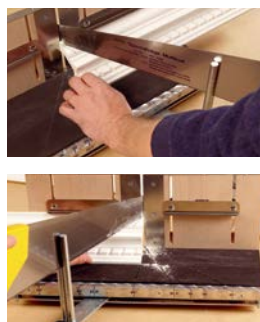
CORNICES IN A STAIRWELL

- When changing the direction of the moulding, for example, with a staircase (joist), cutting the moulding to size is done differently.

In this case, place the moulding in the mitre box so that its surface bonding to the wall rests on the bottom of the mitre box and its adhesive surface against the ceiling backs against the vertical part of the mitre box, under the sliders.



- Seen from the front, the moulding is cut starting from the top front edge to the bottom edge.



- Determine the cutting angle using the set-square.



STEPPED WALL

- In this zone, attach the profile only to the ceiling.
- This results in a gap between the bottom edge of the moulding and the step.



- Close the gap with a hollow moulding, for example the B2 NOMASTYL® or NE1 PURE NOMASTYL®. The width of the hollow moulding can be cut to size with a cutter knife.
- If the gap is larger, use for example the NE2 PURE NOMASTYL® hollow moulding.



- Retouch the bottom edge of the moulding with a coating.



- Extend the wall covering or wallpaper up to the hollow moulding; stop it at the lower edge of the moulding attached to the ceiling.



EXPANSION JOINTS AND ANTI-VIBRATION ISOLATION JOINTS



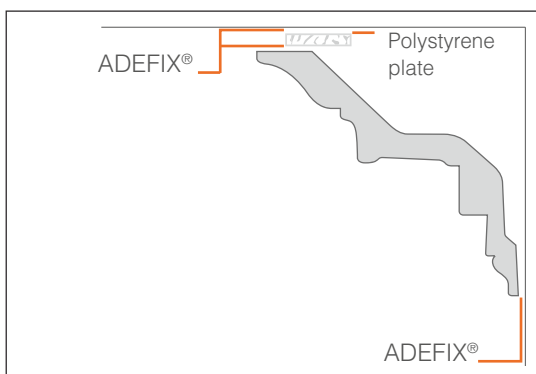
- Glue the moulding on one side only, on the surface (ceiling or wall) that is rigid or does not transmit impact noise.



- The gap between the moulding and the surface of the unbonded side should have a uniform width. For this purpose, it is advisable to position a polystyrene plate about 6 mm thick in the unbonded area (using steel nails or dots of hot glue).



- After the mounting and drying of the adhesive, the plate can be removed.



HOLLOW JOINT

- Proceed in the same way as for the previous point.
- In the case of a hollow joint, the polystyrene plate can also stay in place under the moulding. It is positioned to be hidden by the moulding. As a general rule, an offset of half of the bonding surface of the moulding is enough. This offset allows the moulding to be attached to the polystyrene plate.

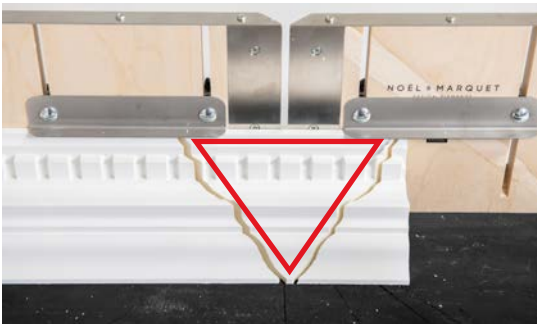


STOPPING A MOULDING

- Place the moulding in the mitre box (lower edge of the moulding under the sliders).
- Make a cut at 45° above the outer edge of the moulding (outer mitre cut).



- Make the counter-cut.



- Sand down and dust off the cut edge, then attach the moulding with adhesive.



You can also make the elbow using hot glue. This allows the moulding to be positioned after just a few minutes, without the risk of inaccuracies in the outside mitre.